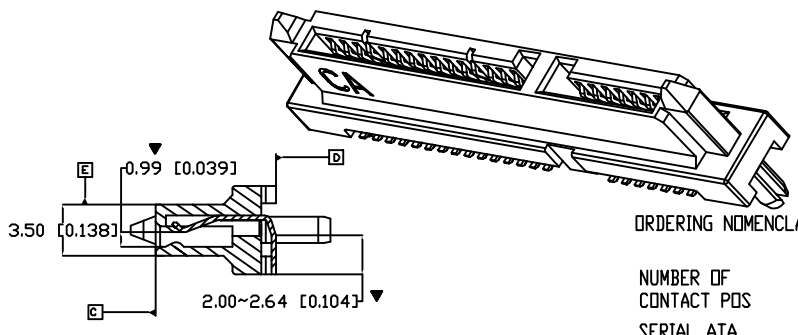
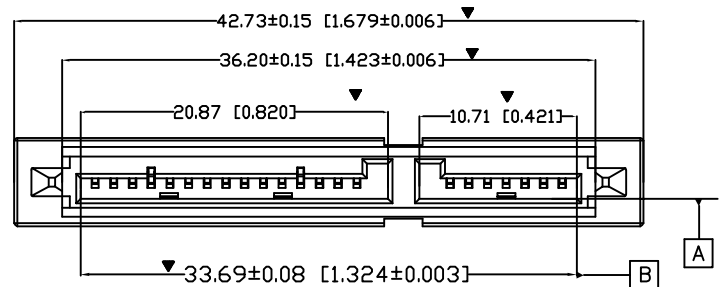


P/N 22SAHS-X-1-0-X-X

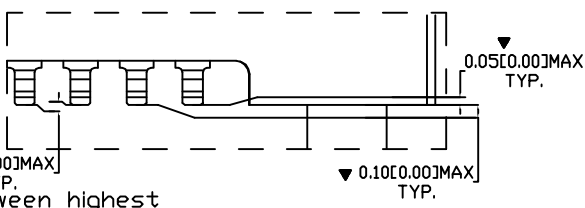
REV.	DESCRIPTION	ECN.	APPD.
A	NEW		ROBBIE
B	Add option	E031030H181	



SECTION A-A

ORDERING NOMENCLATURE : 22SAHS-X-1-0-X-X

NUMBER OF CONTACT POS
 SERIAL ATA HOST SOCKET
 PLATING: A:1u"; B:3u"; ,C:15u";D:5u"; ,F:30u"
 HEIGHT:1=REGULAR;
 CONTACT:
 0=SURFACE MOUNT(post=2.24mm/2.54mm);
 1=THRU HOLE(TWO ROW)
 2=THRU HOLE (REV) (TWO ROW);
 3=PRESS FIT; 4=MOLD V/COVER
 5=MOLDING TYPE WITHOUT COVER(L=40.44mm)
 6=MOLDING TYPE WITHOUT COVER(L=52.20mm)
 7=THRU HOLE(ONE ROW)
 8=PRESS FIT (REV LAYOUT);
 9=SURFACE MOUNT(post=1.0mm);
 10=SURFACE MOUNT(post=3.70mm)



DETAIL A SCALE 3:1

MARK: 1=HAVE THREE LOCK TABS
 2=NOT HAVE THREE LOCK TABS
 MARK: 1=HAVE "CA" MARK
 2=NOT HAVE "CA" MARK

NOTES:
 1.MATERIAL :
 HOUSING : HIGH TEMPERATURE THERMOPLASTIC (LCP) G.F.30%, UL94V-0, COLOR:BLACK, THICKNESS=0.30±0.01mm
 TERMINAL: PHOSPHOR BRONZE,C5210
 2. PLATING :
 CONTACT AREA :AU PLATED AT CONTACT AREA
 PLATED ALL OVER : TIN-LEAD(Sn-Pb)ALLOY, 150 u" MINIMUM UNDER PLATE ; NICKEL (NI)50 u" MINIMUM
 4.PRODUCT SPECIFICATION : REFER CACHS-0006
 5. THE MARK CAN OPTION
 6.OTHER DIMENSION TOLERANCE IS 0.05mm
 7.MARK DIMENSION MUST CONTROL
 8,ALL DIMENSION MEASURE BY FAI

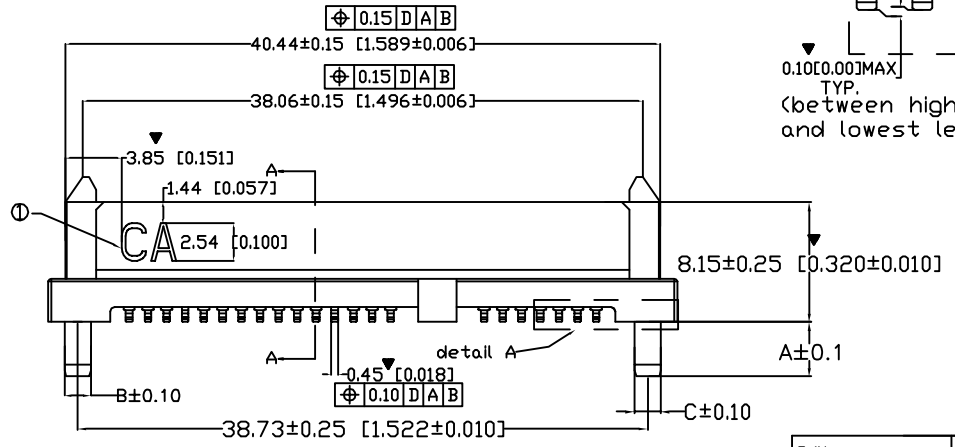
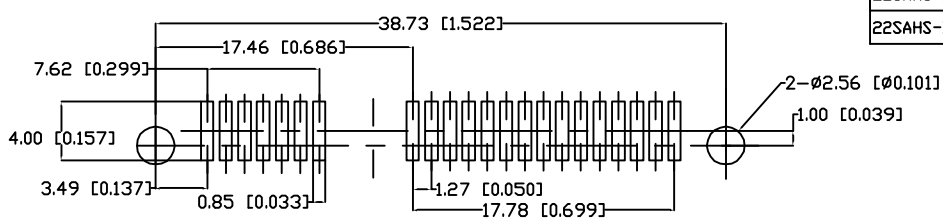


TABLE 1

P/N	NAME	A ±0.10	B ±0.10	C ±0.10
22SAHS-X-1-10-X-X	Sata socket 22p plastic smt(post=3.70mm)	3.70	2.24	2.24
22SAHS-X-1-9-X-X	Sata socket 22p plastic smt(post=1.00mm)	1.00	2.24	2.24
22SAHS-X-1-0-X-X	Sata socket 22p plastic smt(post=2.24/2.54mm)	3.70	2.54	2.24



RECOMMENDED PCB LAYOUT

MILLIMETERS	INCH	UNITS	MM	NAME(INTENDED USE)	CA CIRCUIT ASSEMBLY SHENZHEN CA INDUSTRIAL BUILDING, AOXING ROAD, AOBEI SECOND VILLAGE, HENGANG TOWN, SHENZHEN CITY, GUANGDONG,PROVINE,CHINA
X° ± 2°	X° ± 2°	MAT'L		PART NO.(INTENDED USE)	TITLE: SATA 22p socket SMT type for customer
.X ± 0.25	.X ± 0.010	FINISH		APPD: Robbie 10/12/03'	DWG NO.: H610297
.XX ± 0.13	.XX ± 0.005		Q'TY	CHKD: Robbie 10/12/03'	SCALE SHEET REV. 1/1 B
.XXX ± ----	.XXX ± ----			DR: Jelly 08/23/03	

THESE DRAWINGS AND SPECIFICATIONS ARE THE PROPERTY OF CIRCUIT ASSEMBLY SHEN ZHEN AND SHALL NOT BE REPRODUCED, COPIED OR USED IN ANY MANNER WITHOUT THE PRIOR WRITTEN CONSENT OF CIRCUIT ASSEMBLY SHEN ZHEN